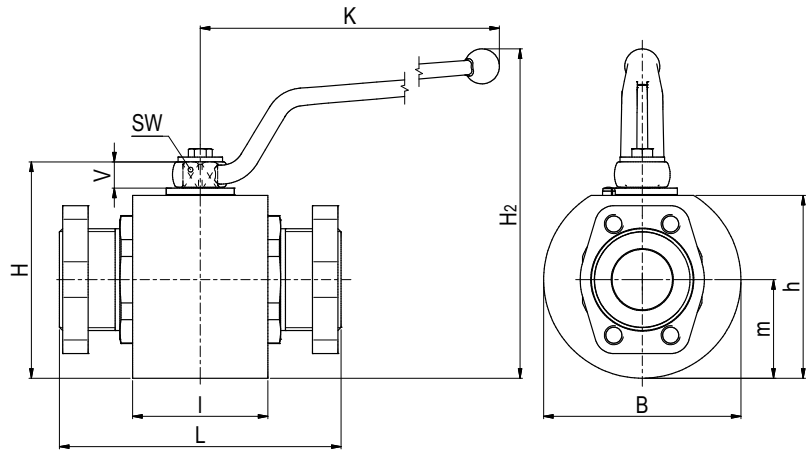


Ball valve with SAE adapter metric / UNC Stainless Steel

MKHP-SAE

Two-way



AVAILABLE SIZES

DN32 - DN50 (1 1/4" to 2")

CONNECTIONS

ISO 6162-1, ISO 6162-2

ACCESSORIES ON REQUEST

- Locking devices page 230 - 233
- Actuators 228 - 229
- Mounting holes 30
- Position switches 236 - 237
- Combinations on request
- Detent on request

MATERIAL CODE DESCRIPTION

Materials	442A	4428
Body	Stainless Steel	Stainless Steel
Ball	Stainless Steel	Stainless Steel
Stem	Stainless Steel	Stainless Steel
Ball seats	POM	POM
O-rings	NBR	FPM
Tmin /Tmax	-30°C / 100°C	-20°C / 100°C

GENERAL DIMENSIONS

Type	l	B	H	h	m	V	SW	K	H ₂	Lever
MKHP-DN32	80	109	121	100	54,5	16,5	17	306	194	St
MKHP-DN40	85	124	136	115	62	16,5	17	306	209	St
MKHP-DN50	101	132	145	124	66	16,5	17	306	218	St
MKHP-DN50/65	101	132	145	124	66	16,5	17	306	218	St

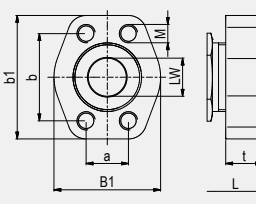
Please note the pressure ratings of the connection flanges!

Ball valve with SAE adapter metric / UNC Stainless Steel

MKHP-SAE

CONNECTION TYPE	DIMENSIONS										ORDER CODE PER MATERIAL COMBINATION		
	Type	LW	L	B ₁	b ₁	t	a	b	M	Weight [Kg]	PN [bar]	442A	4428
	MKHP-DN32-SAE210	32	172	68	79	16	30,2	58,7	M12 ⁽¹⁾	9,72	280	48988	37594
	MKHP-DN32-SAE210	32	172	68	79	16	30,2	58,7	M10	9,72	280	48483	48846
	MKHP-DN40-SAE210	38	177	78	93	16	35,7	69,9	M12	13,57	210	48812	48848
	MKHP-DN50-SAE210	48	196	90	102	16	42,9	77,8	M12	20,25	210	48843	48850
	MKHP-DN50/65-SAE210	48	196	105	114	19	50,8	88,9	M12	20,95	175	48845	48852
	MKHP-DN32-SAE210	32	172	68	79	16	30,2	58,7	7/16" UNC	9,72	280	48853	48855
	MKHP-DN40-SAE210	38	177	78	93	16	35,7	69,9	1/2" UNC	13,57	210	48857	48859
	MKHP-DN50-SAE210	48	196	90	102	16	42,9	77,8	1/2" UNC	20,25	210	48861	48864
	MKHP-DN50/65-SAE210	48	196	105	114	19	50,8	88,9	1/2" UNC	20,95	175	48862	48865

Two-way

CONNECTION TYPE	DIMENSIONS										ORDER CODE PER MATERIAL COMBINATION		
	Type	LW	L	B ₁	b ₁	t	a	b	M	Weight [Kg]	PN [bar]	442A	4428
	MKHP-DN32-SAE420	32	172	78	95	27	31,8	66,7	M14 ⁽¹⁾	9,72	420	49050	37598
	MKHP-DN32-SAE420	32	172	78	95	27	31,8	66,7	M12	9,72	420	48842	48847
	MKHP-DN40-SAE420	38	177	94	112	30	36,5	79,4	M16	13,57	420	48772	48849
	MKHP-DN50-SAE420	48	196	114	134	35	44,5	96,8	M20	20,25	420	48844	48851
	MKHP-DN32-SAE420	32	172	78	95	27	31,8	66,7	1/2" UNC	9,72	420	48854	48856
	MKHP-DN40-SAE420	38	177	94	112	30	36,5	79,4	5/8" UNC	13,57	420	48858	48860
	MKHP-DN50-SAE420	48	196	114	134	35	44,5	96,8	3/4" UNC	20,25	420	48863	48866

⁽¹⁾ This thread is not to be used for new designs.