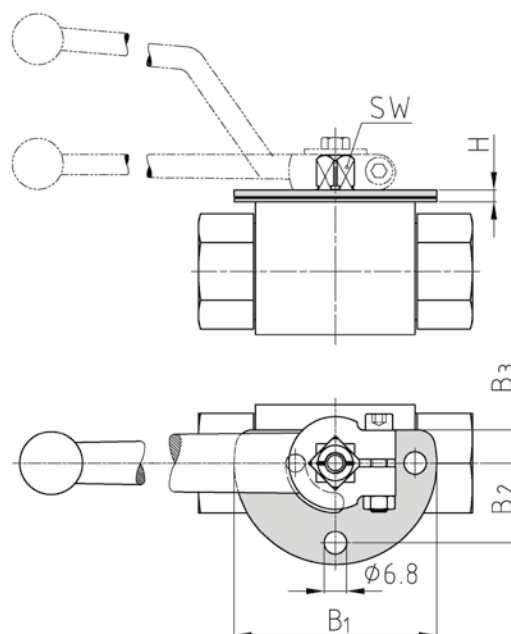




# Locking device type 2 Steel



- Suitable as retrofit
- Economical solution
- Can be dismantled after disassembly of lever

DIMENSIONS						ORDER CODE PER MATERIAL		
Dash Size	SW	H	B <sub>1</sub>	B <sub>2</sub>	B <sub>3</sub>	Steel	Stainless Steel	*Article usually in stock.
2-4	0.35	0.14	2.40	0.94	0.39	052 35082*	on request	
6-8	0.35	0.14	2.40	0.94	0.39	052 30594*	on request	
10	0.47	0.18	2.52	1.00	0.47	052 30595*	on request	
12-16	0.55	0.18	3.31	1.40	0.55	052 30596*	on request	
20-32	0.67	0.18	5.35	2.42	0.59	052 30597*	on request	

## ORDER EXAMPLE

Mounting set consisting of locking plate, stopping disk and ring:

order text	article no.
Locking device type 2 for ball valve DS 2-4	052 35082

Assembled with ball valves:

ball valve type (ball valve design: see data sheets)	article no.	description
BKH - 8 - NPT - 112A	17176	with locking device type 2

## MOUNTING SETS ARE VALID FOR

Type	BKH	BKH-AS	MKHP420 Steel	MKHP-AS Steel	BKH / BKH-SAE	MKHP-SAE Steel	BKH / BKH- SAEFS	MKHP-SAEFS Steel	BK3 ≤ DS16
Page	14 - 21	34	22 - 24	35	46 - 49	50 - 51	38 - 41	42 - 43	92 - 95

All dimensions are in inches.