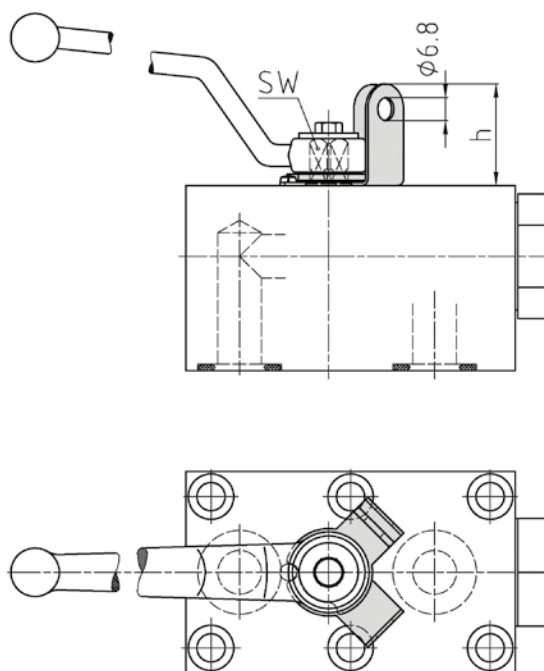
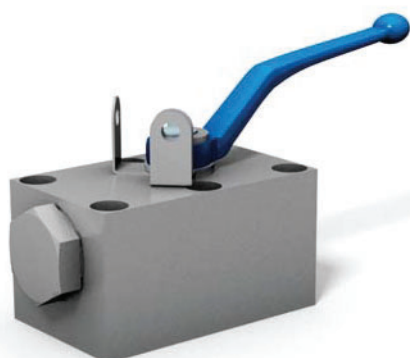




Locking device type 4 Stainless steel



- Universal locking device
- Only suitable as retrofit for ball valves with bent lever
- Economical solution
- Can be dismounted after disassembly of lever
- Bent lever is not part of delivery
- Not rotatable - this option is available on request only

DIMENSIONS		ORDER CODE PER MATERIAL	
SW	h	Stainless Steel	
0.28	0.94	052 40570	
0.35	1.10	052 36682	
0.47	1.36	052 52896	
0.55	1.36	052 36683	
0.67	1.73	052 36684	

ORDER EXAMPLE

Mounting set consisting of locking plate, stopping disk and ring:

order text	article no.
Locking device type 4 for ball valve DS 6-8	052 36682

Assembled with ball valves:

ball valve type (ball valve design: see data sheets)	article no.	description
PKH - 8 - 112A	29571	with locking device type 4

MOUNTING SETS ARE VALID FOR

Type	BKH / BKHP500	MKHP420 Steel	MKHP-SAEFS	MKHP-SAE	KHZ-SAE	BK3 / BK3-S	3KH	4KH	PKH	PK3	MPKH3/4
Page	14 - 21	22 - 24	42 - 45 58 - 61	50 - 53	68 - 71	92 - 102	108 - 114	116 - 122	124 - 127	128 - 131	136 - 139

All dimensions are in inches.

05/18/2021