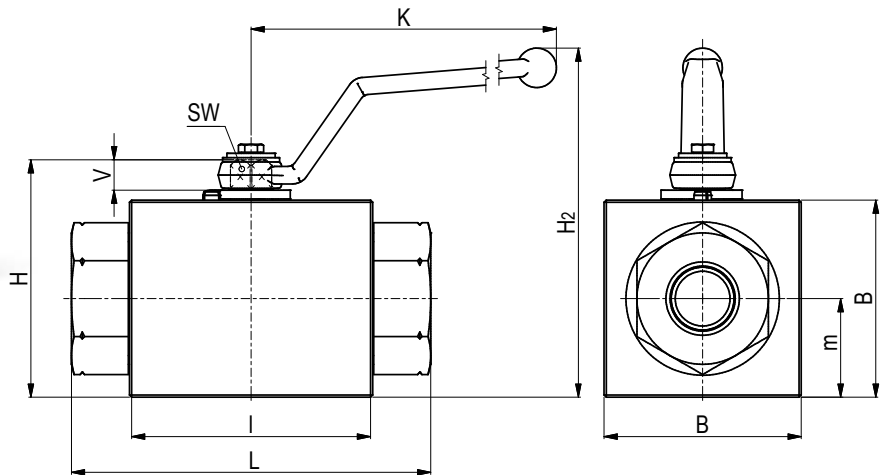
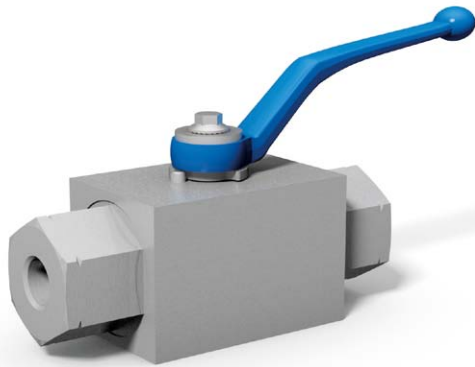


Highest-pressure ball valve Steel

BKHP800



AVAILABLE SIZES

DN4 - DN25 (1/8" to 1")

CONNECTIONS

DIN 2353/ISO 8434-1 Heavy series, ANSI B1.20.1 NPT Female thread, others on request

ACCESSORIES ON REQUEST

- Locking devices page 222 - 225
- Actuators 220 - 221
- Mounting holes on request
- Position switches on request
- Combinations on request
- Detent on request

MATERIAL CODE DESCRIPTION

Materials	81bA	81b8
Body	Steel	Steel
Ball	Steel	Steel
Stem	Steel	Steel
Ball seats	POM	POM
O-rings	NBR	FPM
Tmin /Tmax	-20°C / 100°C	-20°C / 100°C

GENERAL DIMENSIONS

Type	L	B	H	m	V	SW	K	H ₂	Lever
BKHP800-DN4	76	50	64	25	11	9	115	101	St
BKHP800-DN6	76	50	64	25	11	9	115	101	St
BKHP800-DN8	76	50	64	25	11	9	115	101	St
BKHP800-DN10	76	50	64	25	11	9	115	101	St
BKHP800-DN13	76	50	64	25	11	9	115	101	St
BKHP800-DN20	111	90	108	45	14	14	171	159	St
BKHP800-DN25	111	90	108	45	14	14	171	159	St

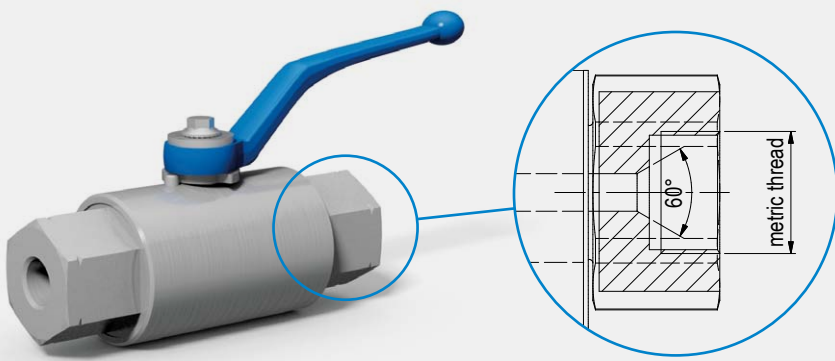


CONNECTION TYPE	DIMENSIONS							ORDER CODE PER MATERIAL COMBINATION		
DIN 2353/ISO 8434-1 HEAVY SERIES	Type	LW	RA	L	i	d	Weight [Kg]	PN [bar]	81bA	81b8
	BKHP800-DN4-8S	5	8	110	7	M 16x1,5	1,60	800	59607	59613
	BKHP800-DN6-10S	6	10	114	7,5	M 18x1,5	1,60	800	59608	59614
	BKHP800-DN8-12S	8	12	114	7,5	M 20x1,5	1,64	800	59609	59615
	BKHP800-DN10-14S	13	14	114	8	M 22x1,5	1,56	800	59610	59616
	BKHP800-DN13-16S	13	16	114	8,5	M 24x1,5	1,58	800	59611	59617
	BKHP800-DN13-20S	13	20	118	10,5	M 30x2	1,63	800	59612	59618
	BKHP800-DN20-25S	20	25	162	12	M 36x2	7,31	800	27019	59619
	BKHP800-DN25-30S	25	30	166	13,5	M 42x2	7,40	800	54861	51182

ANSI B1.20.1 NPT FEMALE THREAD	Type	LW	L	i	d	Weight [Kg]	PN [bar]	81bA	81b8
	BKHP800-DN6-1/4"NPT	6	130	13,7	1/4" NPT	1,92	800	59620	59623
	BKHP800-DN10-3/8"NPT	13	130	13,5	3/8" NPT	1,85	800	59621	59624
	BKHP800-DN13-1/2"NPT	13	130	17	1/2" NPT	1,79	800	59622	59625
	BKHP800-DN20-3/4"NPT	20	161	18,3	3/4" NPT	7,83	800	48989	51181
	BKHP800-DN25-1"NPT	25	164	21,6	1" NPT	7,68	800	30785	30164

Please note the pressure ratings of the tube connections!

Available up to 2000 bar!



MHA ZENTGRAF can offer high pressure valves up to 2.000 bar (30.000 psi). Equipped with special high pressure connectors these valves are suitable for the most demanding applications.

Application-specific