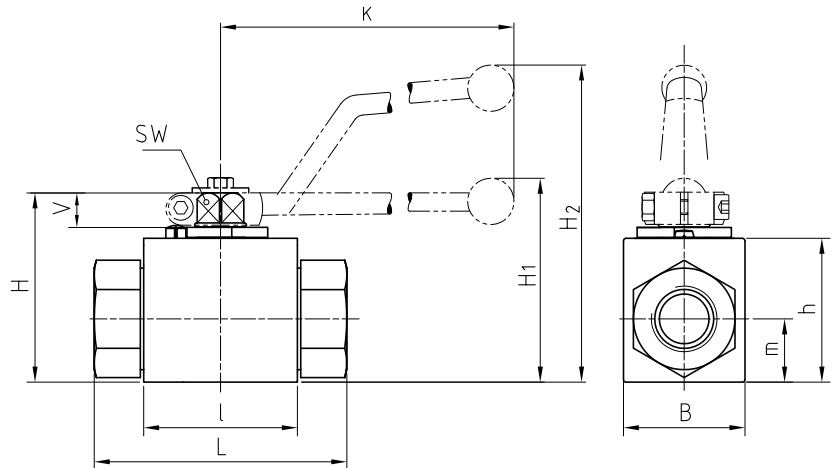


# 2-way ball valve Stainless Steel

# BKH / BKHP500

Two-way



## AVAILABLE SIZES

DN4 - DN25 (1/8" to 1")

## CONNECTIONS

DIN ISO 228 Female thread, ANSI B1.20.1 NPT Female thread, DIN 2353/ISO 8434-1 Light / Heavy series, SAE J 514/ISO/DIS11926-1 Female thread, ISO 7/1 Rc Female thread, ISO 8434-3 ORFS Male thread, others on request

## ACCESSORIES ON REQUEST

- Locking devices page 230 - 233
- Actuators 228 - 229
- Mounting holes 23
- Position switches 236 - 237
- Combinations 192 - 194
- Detent on request

## MATERIAL CODE DESCRIPTION

Materials	442A	4428
Body	Stainless Steel	Stainless Steel
Ball	Stainless Steel	Stainless Steel
Stem	Stainless Steel	Stainless Steel
Ball seats	POM	POM
O-rings	NBR	FPM
Tmin / Tmax	-30°C / 100°C	-20°C / 100°C

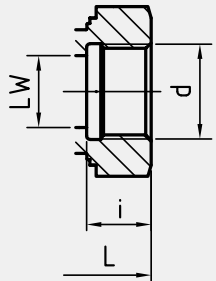
## GENERAL DIMENSIONS

Type	L	B	H	h	m	V	SW	K	H <sub>1</sub>	H <sub>2</sub>	Lever
BKH-DN4	40	26	47	33	13,5	11	9	115	-	82	Zn
BKH-DN6	40	26	47	33	13,5	11	9	115	-	82	Zn
BKH-DN8	40	26	47	33	13,5	11	9	115	-	82	Zn
BKH-DN10	43	32	52	38	17,5	11	9	115	-	86	Zn
BKH-DN13	48	35	54	40	19	11	9	115	-	89	Zn
BKH-DN16	48	38	63	46	19	13	12	160	-	106	Al
BKH-DN20	62	49	75	57	24,5	14	14	200	79	-	Zn
BKHP500-DN20	82	58	83	65	32,5	14	14	200	87	-	Zn
BKH-DN25	66	58	83	65	29,5	14	14	200	87	-	Zn
BKHP500-DN25	84	70	88	70	34,5	14	14	200	92	-	Zn
BKH-DN25/32	66	58	83	65	29,5	14	14	200	87	-	Zn
BKH-DN25/40	66	58	83	65	29,5	14	14	200	87	-	Zn
BKHR-DN25	71	75	91	75	38	14	14	190	-	128	VA

# 2-way ball valve Stainless Steel

# BKH / BKHP500

Two-way

CONNECTION TYPE	DIMENSIONS						ORDER CODE PER MATERIAL COMBINATION		
	Type	LW	L	i	d	Weight [Kg]	PN [bar]	442A	4428
<b>DIN ISO 228 FEMALE THREAD</b> 	BKH-DN4-G1/8	5	69	10	G1/8	0,41	500	29754*	30422*
	BKH-DN6-G1/4	6	69	14	G1/4	0,40	500	27183*	26726*
	BKH-DN10-G3/8	10	72	14	G3/8	0,54	500	27261*	27180*
	BKH-DN13-G1/2	13	83	16,3	G1/2	0,65	500	27260*	27182*
	BKH-DN16-G5/8	15	83	16	G5/8	0,70	400	32270*	31558*
	BKH-DN20-G3/4	20	95	18	G3/4	1,50	350	27657*	27817*
	BKHP500-DN20-G3/4	20	107	18	G3/4	2,57	500	50143	53461
	BKH-DN25-G1	25	113	20	G1	2,20	350	27026*	27673*
	BKHR-DN25-G1	24	122	20	G1	3,62	400	68604	on request
	BKHP500-DN25-G1	25	131	20	G1	3,94	500	50144	53462
	BKH-DN25/32-G1 1/4	25	120	22	G1 1/4	2,30	350	27438*	34869*
	BKH-DN25/40-G1 1/2	25	130	24	G1 1/2	2,60	250	33223*	35476*

CONNECTION TYPE	DIMENSIONS						ORDER CODE PER MATERIAL COMBINATION		
	Type	LW	L	i	d	Weight [Kg]	PN [bar]	442A	4428
<b>ANSI B1.20.1 NPT FEMALE THREAD</b> 	BKH-DN4-1/8"NPT	5	69	10,5	1/8"NPT	0,30	500	37169*	37170*
	BKH-DN6-1/4"NPT	6	69	13,7	1/4"NPT	0,40	500	28387*	27369*
	BKH-DN10-3/8"NPT	10	72	13,5	3/8"NPT	0,55	500	28388*	28750*
	BKH-DN13-1/2"NPT	13	83	17	1/2"NPT	0,75	500	41318*	27803*
	BKH-DN20-3/4"NPT	20	95	18,3	3/4"NPT	1,63	350	29237*	27429*
	BKHP500-DN20-3/4"NPT	20	107	18,3	3/4"NPT	2,60	500	53463	53464
	BKH-DN25-1"NPT	25	113	21,6	1"NPT	2,30	350	26996*	28451*
	BKHR-DN25-1"NPT	24	122	19	1"NPT	3,36	400	on request	on request
	BKHP500-DN25-1"NPT	25	131	21,6	1"NPT	4,00	500	53465	53466
	BKH-DN25/32-1 1/4"NPT	25	120	22,1	1 1/4"NPT	2,51	350	37168*	37171*
	BKH-DN25/40-1 1/2"NPT	25	130	22,1	1 1/2"NPT	2,70	250	37767*	37768*

CONNECTION TYPE	DIMENSIONS						ORDER CODE PER MATERIAL COMBINATION			
	Type	LW	RA	L	i	d	Weight [Kg]	PN [bar]	442A	4428
<b>DIN 2353 / ISO 8434-1 LIGHT SERIES</b> 	BKH-DN4-6L	5	6	67	7	M 12x1,5	0,36	500	26268*	28589*
	BKH-DN6-8L	6	8	67	7	M 14x1,5	0,37	500	27342*	27381*
	BKH-DN8-10L	8	10	74	7	M 16x1,5	0,38	500	34754*	27380*
	BKH-DN10-12L	10	12	74	7	M 18x1,5	0,50	500	26263*	27388*
	BKH-DN13-15L	13	15	82	7	M 22x1,5	0,61	500	34673*	27658*
	BKH-DN13-18L	13	18	82	7,5	M 26x1,5	0,60	500	33220*	28732*
	BKH-DN16-18L	15	18	82	7,5	M 26x1,5	0,75	400	31293*	29097*
	BKH-DN20-22L	20	22	101	7,5	M 30x2	1,49	350	32346*	27965*
	BKH-DN25-28L	25	28	108	7,5	M 36x2	2,00	350	68605*	37164*
	BKH-DN25/32-35L	25	35	112	10,5	M 45x2	2,12	350	33221*	32289*
	BKH-DN25/40-42L	25	42	112	11	M 52x2	2,27	350	37765*	37766*
	BKHR-DN25/40-42L	24	28	112	7,65	M 36x2	3,31	400	on request	on request

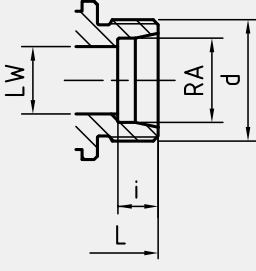
Please note the pressure ratings of the tube connections!

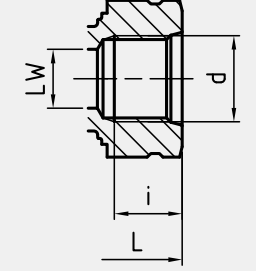
\*Article usually in stock.

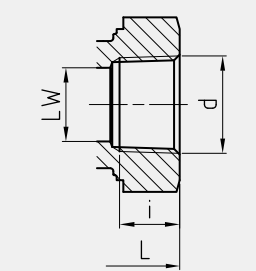
# 2-way ball valve Stainless Steel

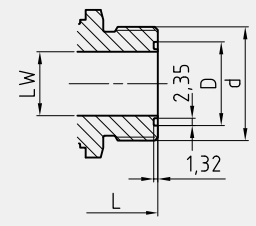
# BKH / BKHP500

Two-way

CONNECTION TYPE	DIMENSIONS								ORDER CODE PER MATERIAL COMBINATION		
	Type	LW	RA	L	i	d	Weight [Kg]	PN [bar]	442A	4428	
<b>DIN 2353 / ISO 8434-1 HEAVY SERIES</b> 	BKH-DN4-8S	5	8	73	7	M 16x1,5	0,38	500	28455*	27378*	
	BKH-DN6-10S	6	10	73	7,5	M 18x1,5	0,39	500	32334*	32837*	
	BKH-DN8-12S	8	12	76	7,5	M 20x1,5	0,39	500	27887*	29803*	
	BKH-DN10-14S	10	14	80	8	M 22x1,5	0,50	500	28011*	30738*	
	BKH-DN13-16S	13	16	86	8,5	M 24x1,5	0,60	500	27599*	28494*	
	BKH-DN13-20S	13	20	90	10,5	M 30x2	0,60	500	27598*	28207*	
	BKH-DN16-20S	15	20	90	10,5	M 30x2	0,80	400	29971*	29173*	
	BKH-DN20-25S	20	25	109	12	M 36x2	1,55	350	27365*	28751*	
	BKHP500-DN20-25S	20	25	129	12	M 36x2	2,52	500	53467	53468	
	BKH-DN25-30S	25	30	120	13,5	M 42x2	2,10	350	27015*	35233*	
	BKHR-DN25-30S	24	30	124	13,65	M 42x2	3,43	400	68606	on request	
	BKHP500-DN25-30S	25	30	138	13,5	M 42x2	4,00	500	53469	53470	
	BKH-DN25/32-38S	25	38	124	16	M 52x2	2,30	350	27178*	32570*	

CONNECTION TYPE	DIMENSIONS						ORDER CODE PER MATERIAL COMBINATION		
	Type	LW	L	i	d	Weight [Kg]	PN [bar]	442A	4428
<b>SAE J514/ISO/DIS11926-1 FEMALE THREAD</b> 	BKH-DN6-7/16"UNF	5	69	12	7/16"-20 UNF	0,39	500	37174*	37179*
	BKH-DN10-9/16"UNF	10	72	13	9/16"-18 UNF	0,50	500	37175*	37180*
	BKH-DN13-3/4"UNF	13	83	15	3/4"-16 UNF	0,60	500	37176*	37181*
	BKH-DN20-1 1/16"UN	20	95	20	1 1/16"-12 UN	1,55	350	37177*	37182*
	BKHP500-DN20-1 1/16"UN	20	108	20	1 1/16"-12 UN	2,55	420	53471	53472
	BKH-DN25-1 5/16"UN	25	113	20	1 5/16"-12 UN	2,10	350	37178*	37183*
	BKHP500-DN25-1 5/16"UN	25	131	20	1 5/16"-12 UN	4,00	500	53473	53474

CONNECTION TYPE	DIMENSIONS						ORDER CODE PER MATERIAL COMBINATION		
	Type	LW	L	i	d	Weight [Kg]	PN [bar]	442A	4428
<b>ISO 7/1 Rc FEMALE THREAD</b> 	BKH-DN4-Rc 1/8"	5	69	7,4	Rc 1/8"	0,40	500	59582	59583
	BKH-DN6-Rc 1/4"	6	69	11	Rc 1/4"	0,39	500	29014	59584
	BKH-DN10-Rc 3/8"	10	72	11,4	Rc 3/8"	0,55	500	29015	40400
	BKH-DN13-Rc 1/2"	13	83	15	Rc 1/2"	0,64	500	29016	59585
	BKH-DN20-Rc 3/4"	20	95	16,3	Rc 3/4"	1,59	350	29017	57551
	BKHP500-DN20-Rc 3/4"	20	107	16,3	Rc 3/4"	2,57	420	59586	59587
	BKH-DN25-Rc 1"	25	113	19	Rc 1"	2,20	350	29018	46686
	BKHP500-DN25-Rc 1"	25	131	19	Rc 1"	3,94	500	59588	59589
	BKH-DN25/32-Rc 1 1/4"	25	120	21,4	Rc 1 1/4"	2,30	350	29019	59590

CONNECTION TYPE	DIMENSIONS							ORDER CODE PER MATERIAL COMBINATION		
	Type	LW	L	D	d	O-ring**	Weight [Kg]	PN [bar]	442A	4428
<b>ISO 8434-3 ORFS MALE THREAD</b> 	BKH-DN6					on request				
	BKH-DN8-11/16"UN ISO8434-3	6,5	73	12,6	11/16"-16 UN	9,25 x 1,78	0,40	500	on request	on request
	BKH-DN10-13/16"UN ISO8434-3	9,5	80	15,77	13/16"-16 UN	12,42 x 1,78	0,50	500	on request	on request
	BKH-DN13-1"UNS ISO8434-3	12,5	90	19	1-14" UNS	15,6 x 1,78	0,60	500	on request	on request
	BKH-DN16-1 3/16"UN ISO8434-3	15	98	22,17	1 3/16"-12 UN	18,77 x 1,78	0,80	400	on request	on request
	BKH-DN20-1 7/16"UN ISO8434-3	20	111	26,87	1 7/16"-12 UN	23,52 x 1,78	1,60	350	on request	on request
	BKH-DN25-1 11/16"UN ISO8434-3	25	120	33,25	1 11/16"-12 UN	29,87 x 1,78	2,10	250	on request	on request

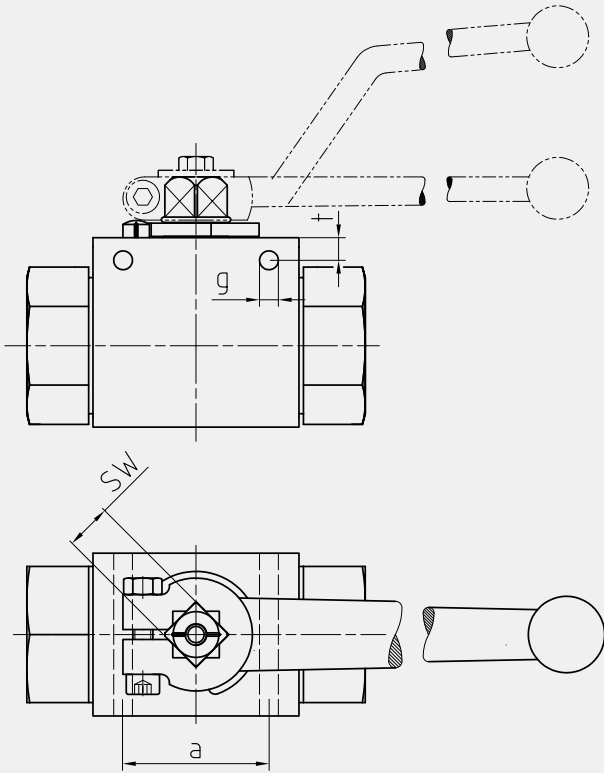
Please note the pressure ratings of the tube connections!  
\*\*O-ring included

\*Article usually in stock.

# 2-way ball valve Stainless Steel

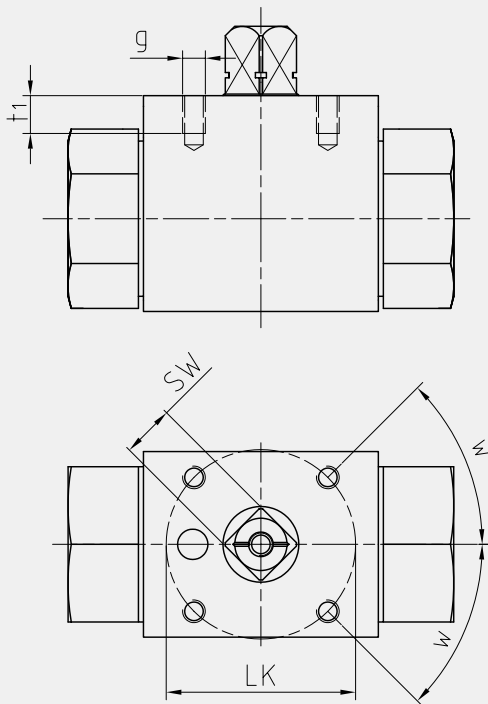
# BKH / BKHP500

Two-way



## ASSEMBLING HOLES

DN	SW	a	g	t
4	9	31	4,3	4,5
6	9	31	4,3	4,5
10	9	32	4,3	4
13	9	32	4,3	4
16	12	32	5,2	6
20	14	44	6,2	6
25	14	44	6,3	6
25	14	44	6,3	6
25/32	14	44	6,3	6
25/40	14	44	6,3	6



## ASSEMBLING THREADS AS PER ISO 5211

DN	SW	LK	g	t <sub>1</sub>	w	ISO 5211
4	9	36	M5	6	30°*	(F03)*
6	9	36	M5	6	30°*	(F03)*
10	9	36	M5	7	45°	F03
13	9	36	M5	6	45°	F03
16	12	42	M5	8	45°	F04
20	14	50	M6	10	45°	F05
25	14	50	M6	10	45°	F05
25	14	50	M6	10	45°	F05
25/32	14	50	M6	10	45°	F05
25/40	14	50	M6	10	45°	F05

\*30° does not correspond to ISO 5211